

LED Work Light

Model No: LE016W · LE059W · LE035W · LE040W

Features

- ⊙ 1W high power LED x 6 pcs
- ⊙ Low power consumption and Long use-life
- ⊙ Input voltage: 12/24/12~24/24~48V DC optional
- ⊙ Color temperature:5000~6300K
- ⊙ IP65 equivalent



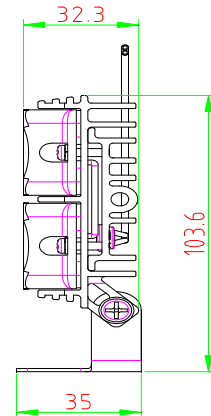
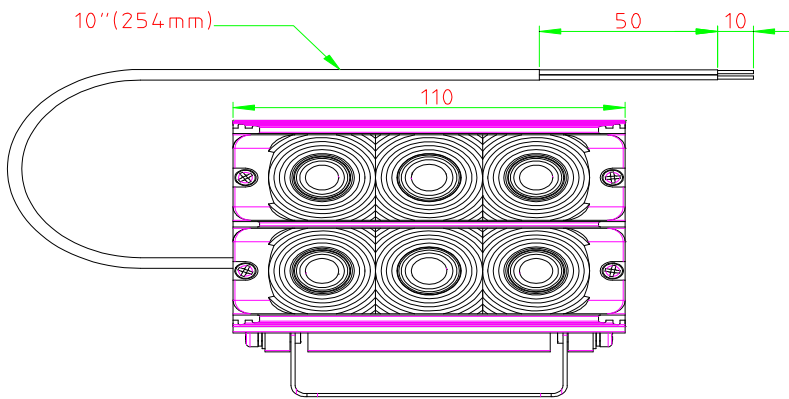
Applications

For most demanding environment, such as construction, garage, material handling and the other many Indoor/Outdoor applications

Product Structure

Main Components	Materials	Color
Lens	PC	Clear
Housing	Aluminum	Black
LED	1W LED x 6pcs	White

Drawing Dimension (110(L) x 103.6(W) x 32.3(H), unit: mm)



Specification

Description	Symbol	Value				Unit
		LE016W	LE059W	LE035W	LE040W	
Voltage Input	V_{IN}	12	24	12~24	24~48	V DC
Current Input	I_{IN}	700	350	300 ~ 700	150 ~ 300	mA
Power Dissipation	P_D	8.4	8.4	7~ 9	3.6~14.4	W
Operating Temperature	T_{ope}	-20 ~ +50				°C
Storage Temperature	T_{sto}	-30 ~ +70				°C

Illumination

Description	Symbol	Value	Unit
Luminous intensity	I_v	650	cd
Luminous flux	F	227	lm
Illuminance (2M)	E_v	200	lux

Job Reference

